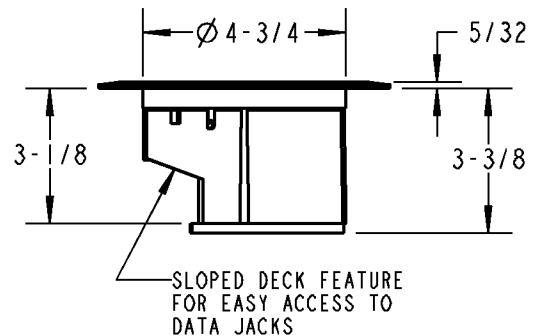
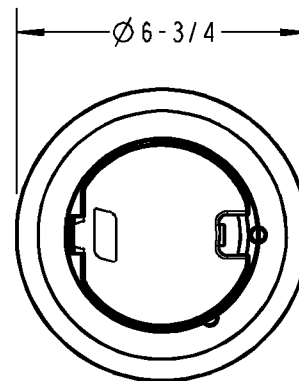
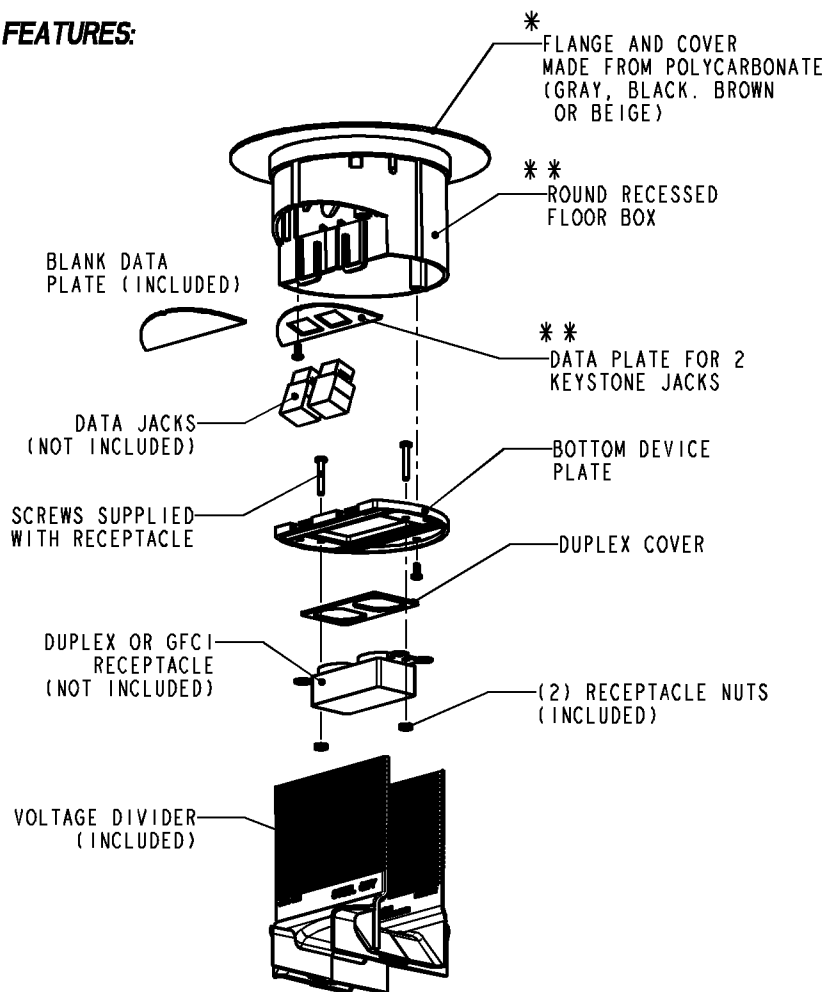


Steel City

68R-CST SERIES

FOR CONCRETE SLAB, WOOD SUB-FLOOR OR RAISED FLOOR APPLICATIONS

FEATURES:



** RECESSED FLOOR BOX INCLUDES ACCOMODATION FOR ONE RECEPTACLE (DUPLEX OR GFCI) AND TWO STANDARD KEYSTONE STYLE DATA JACKS (RECEPTABLES AND DATA JACKS ARE NOT INCLUDED).

FOR OTHER DEVICE OR DATA PLATE CONFIGURATIONS, CONSULT THOMAS & BETTS

* BRASS OR ALUMINUM FLANGE RING WITH BLACK POLYCARBONATE COVER FOR 68R-CST-BRS AND 68R-CST-ALM

| CAT NO. | DESCRIPTION |
|-------------|--|
| 68R-CST-GRY | 68R RECESSED SERVICE FLOOR BOX COVER - GRAY |
| 68R-CST-BLK | 68R RECESSED SERVICE FLOOR BOX COVER - BLACK |
| 68R-CST-BRN | 68R RECESSED SERVICE FLOOR BOX COVER - BROWN |
| 68R-CST-BGE | 68R RECESSED SERVICE FLOOR BOX COVER - BEIGE |
| 68R-CST-BRS | 68R RECESSED SERVICE FLOOR BOX COVER - BLACK W/ BRASS FLANGE |
| 68R-CST-ALM | 68R RECESSED SERVICE FLOOR BOX COVER - BLACK W/ ALUM FLANGE |



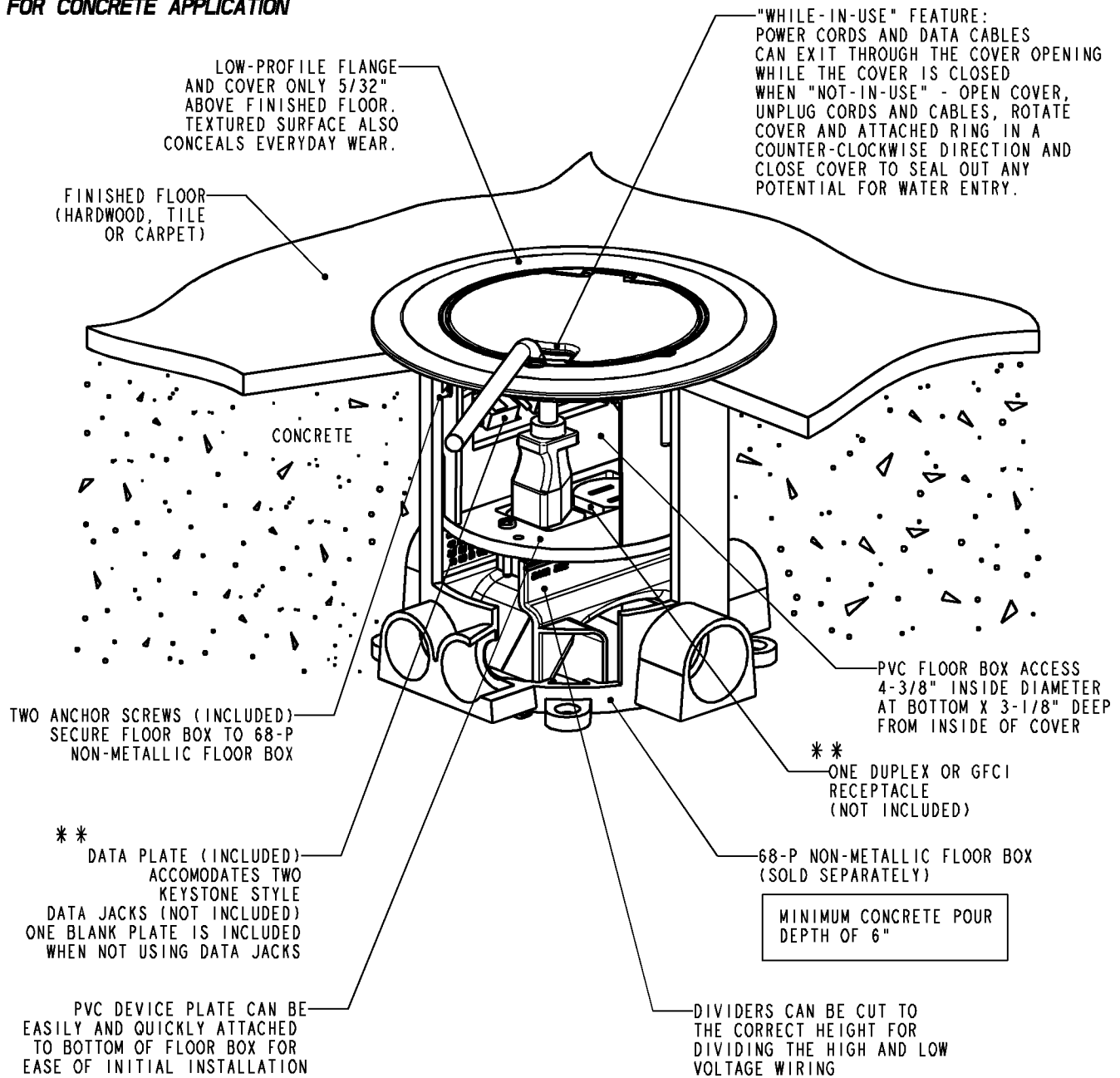
Thomas & Betts

| GENERAL NOTES | |
|---------------|---|
| 1. | ALL DIMENSIONS ARE FOR REFERENCE ONLY. |
| 2. | DIMENSIONS IN BRACKETS [] ARE IN METRIC UNITS. |
| REVISIONS | |
| 1. | SEE ERN (2007323) FOR APPROVAL SIGNATURES & RELEASE DATE. PROJECT NO: UD55584 |

DESCRIPTION: **68R-CST SERIES**
ROUND RECESSED CONCEALED SERVICE TOP

| | | | |
|----------------------------------|-----------|----------|-------------|
| ORIGINAL PROJECT NO / (ERN NO) | SHEET NO: | REV. NO: | DRAWING NO: |
| UD55584 / (2007144) | 1 OF 3 | 1 | WSD-000203 |

FOR CONCRETE APPLICATION



NOTE:
CUTAWAY VIEW FOR ILLUSTRATION PURPOSES ONLY.

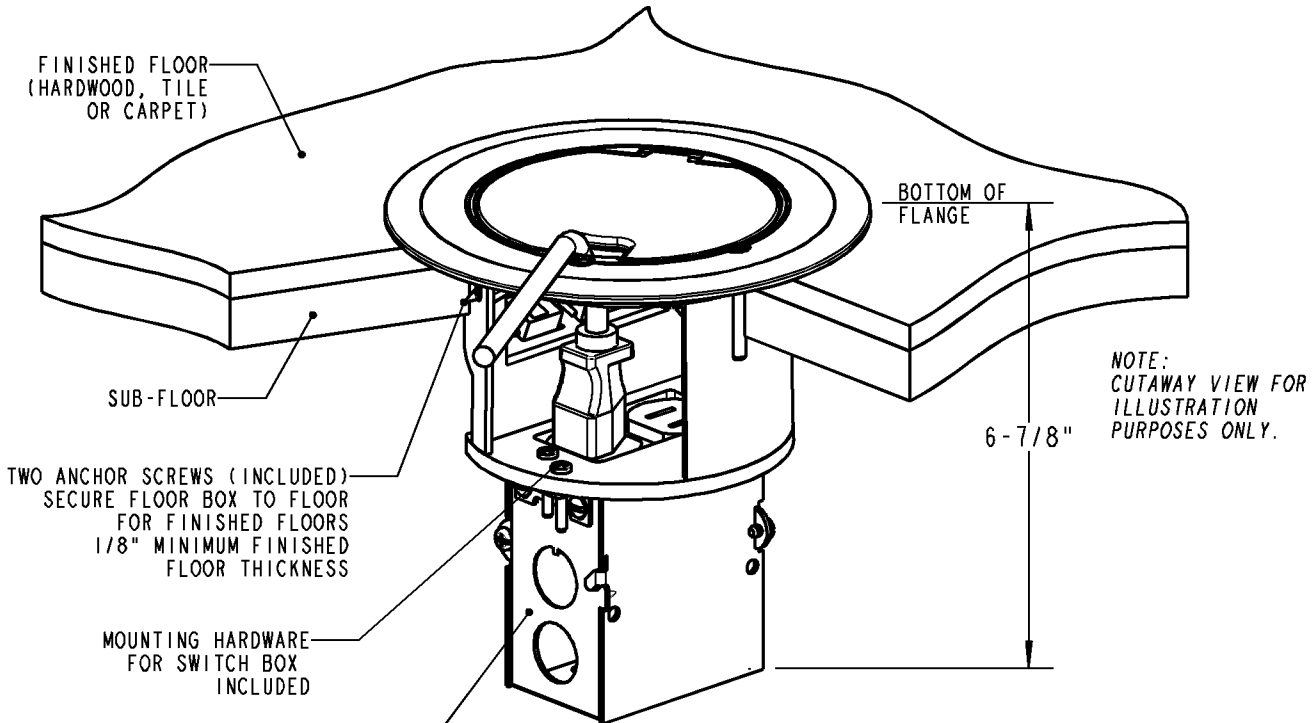
** FOR OTHER DEVICE OR DATA PLATE CONFIGURATIONS, CONSULT THOMAS & BETTS

Thomas & Betts
www.tnb.com

DESCRIPTION: **68R-CST SERIES**
ROUND RECESSED CONCEALED SERVICE TOP

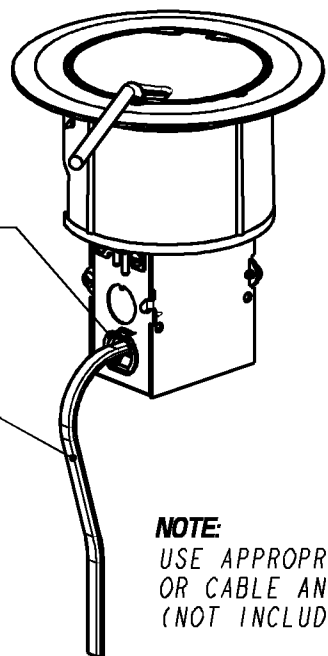
| | | |
|---------------------|---------------|----------------------------------|
| SHEET NO: 2 OF 3 | REV. NO: 1 | DRAWING NO: WSD-000203 |
|---------------------|---------------|----------------------------------|

**FOR WOOD SUB-FLOOR AND
RAISED FLOOR APPLICATIONS**



NOTE:
CUTAWAY VIEW FOR
ILLUSTRATION
PURPOSES ONLY.

USE APPROPRIATE
3" X 2" UL-LISTED (FOR
U.S. INSTALLATION) OR
CSA CERTIFIED (FOR
CANADIAN INSTALLATION)
METALLIC SWITCH BOX
WITH MOUNTING BASE
(SOLD SEPARATELY)



NOTE:
USE APPROPRIATE CONDUIT
OR CABLE AND FITTINGS
(NOT INCLUDED)

NOTE:
A 4-3/4" DIAMETER HOLE IS REQUIRED IN
THE HARDWOOD OR TILE FINISHED FLOOR.
WHEN USING A CARPET FLOOR, CUT A
5-1/4" DIAMETER IN THE CARPET.

| | | | |
|---|----------|---|--|
| Thomas & Betts <small>www.tnb.com</small> | | | |
| DESCRIPTION: | | 68R-CST SERIES | |
| | | ROUND RECESSED CONCEALED SERVICE TOP | |
| SHEET NO: | REV. NO: | DRAWING NO: | |
| 3 OF 3 | 1 | WSD-000203 | |